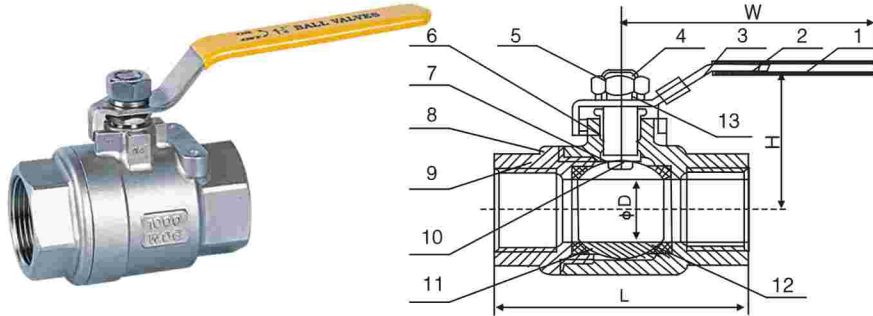


2-PC BALL VALVE MODEL:BT-2FDIN3202-M3(FULL BORE 1000PSI)



MATERIAL LIST

ITEM	DESIGNATION	MATERIAL
1	PLASTIC COVER	PLASTIC
2	HANDLE	304
3	GLAND NUT	304
4	STEM NUT	304
5	THRUSTWASHER	304
6	STEM PACKING	PTFE
7	STEM SEAL	PTFE
8	BODY SEAL	PTFE
9	CAP	CF8/CF8M
10	BODY	CF8/CF8M
11	SEAT	PRTFE
12	BALL	CF8M
13	STEM	304/316

Main outer size

Size		D	L	H	Unit(mm)
6	1/4"	10	53	50	90
10	3/8"	12	53	50	90
15	1/2"	15	62	58	100
20	3/4"	20	73	62	120
25	1"	25	82	72	140
32	1 1/4"	32	100	80	140
40	2"	38	108	90	180
50	1 1/2"	50	122	98	200
65	2 1/2"	64	160	125	220
80	3"	78	177	138	240
100	4"	100	218	156	300