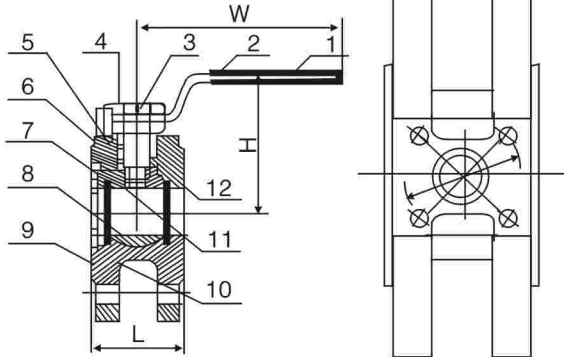
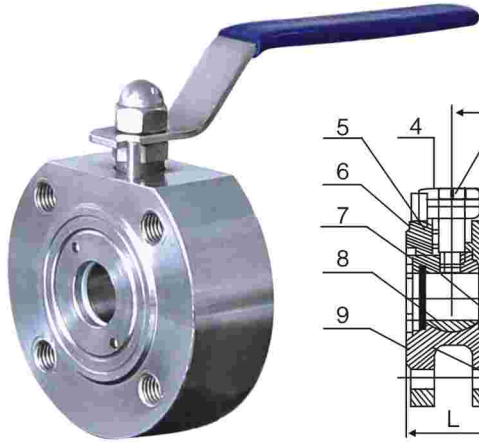


1-PC WAFER FLANGED BALL VALVE

Model:BF-1F(FULL BORE 1000PSI)



MATERIAL LIST

ITEM	DESIGNATION	MATERIAL
1	PLASTIC COVER	PLASTIC
2	HANDLE	304
3	NUT	304
4	RING	304
5	STEM PACKING	PTFE
6	STEM SEAL	PTEF
7	BALL SEAL	RPTFE
8	BALL	CF8M
9	BODY	CF8M
10	BODY SEAL	PTFE
11	CAP	CF8M
12	STEM	304/316

Main outer size

Unit(mm)

Size	NPS	1/2"	3/4"	1"	1 1/4"	1 1/2"	2"	2 1/2"	3"	4"	5"	6"
	DN	15	20	25	32	38	48	58	70	92	100	125
L		32	38	40	50	60	70	95	118	140	195	225
H		62	70	79	86	92	102	158	172	187	200	240
W		110	125	135	150	150	180	250	300	350	650	840