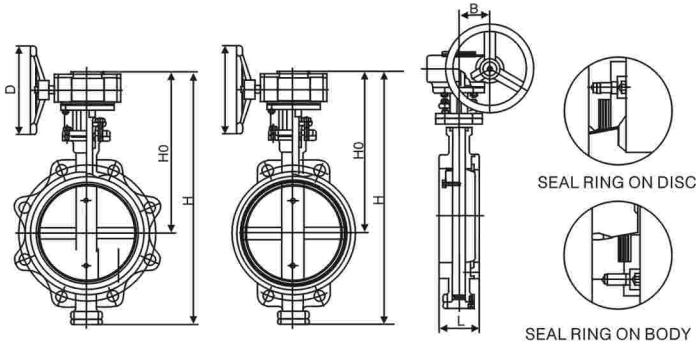
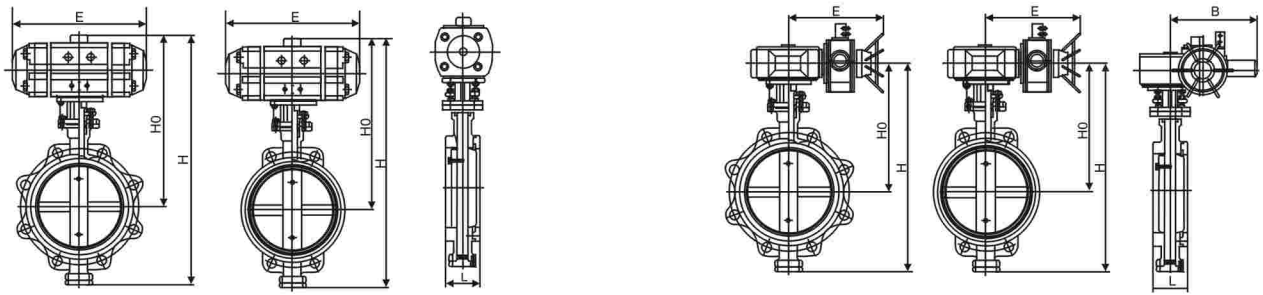


TRIPLE OFFSET WAFER&WAFER LUG BUTTERFLY VALVE CLASS 150Lb-300Lb



Design Standard

- 1、 Design and Manufacture Standard: API609
 - 2、 Material Pressure-Temperature Standard: ASME B 16.34
 - 3、 Face to face Dimension Standard: API609
 - 4、 Flange ends dimension standard
- Size ≤ 24" to ANSI B16.5
Size ≤ 24" to ANSI B16.47 Serie B



Main Outline Dimensions

Unit(mm)

		WORM OPERATION													
		NPS	3"	4"	6"	8"	10"	12"	14"	16"	18"	20"	24"	30"	36"
CLASS 150	L		49	54	58	64	71	81	92	102	114	127	154	167	184
	Worm	H	320	342	415	510	567	665	739	825	910	990	1210	1453	1775
		H0	185	195	243	263	295	342	385	430	469	500	618	875	939
		B	63	63	63	84	84	108	108	152	152	168	192	279	279
		D	160	160	300	400	400	600	600	600	800	800	800	400	400
CLASS 300	L		49	54	59	73	83	92	117	133	149	159	181	254	305
	Worm	H	320	342	415	510	567	665	739	825	910	990	1210	1937	2198
		H0	185	195	243	263	295	342	385	430	469	500	618	1180	1298
		B	63	63	63	84	84	108	108	152	152	168	192	279	368
		E	160	160	300	400	400	600	600	600	800	800	800	600	600