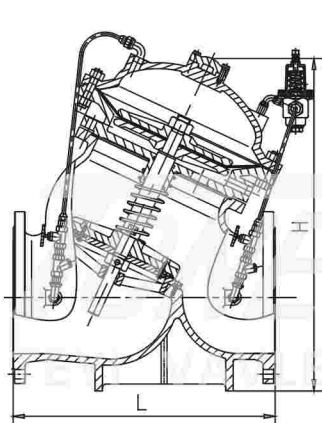


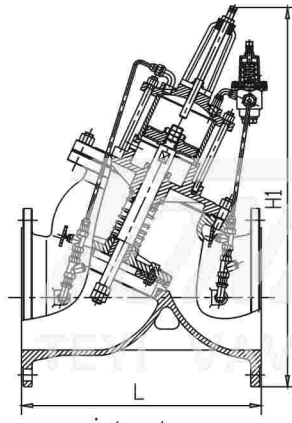
Product introduction

Diaphragm type & piston type adjustable pressure reducing/sustaining valve is install in feeding draining water system in high building to reduce the inlet pressure to the required. The valve ensures outlet pressure stay in the setting value stably by its own energy, namely the outlet pressure does not change owing to the inlet pressure's and flow's change. There is self cleaning filtering mesh installed at the valve control system's inlet not to let the great specific gravity and large diameter particle flow in the system and ensure the system is unimpeded. The valve acts quickly and has a long life.

configuration drawing



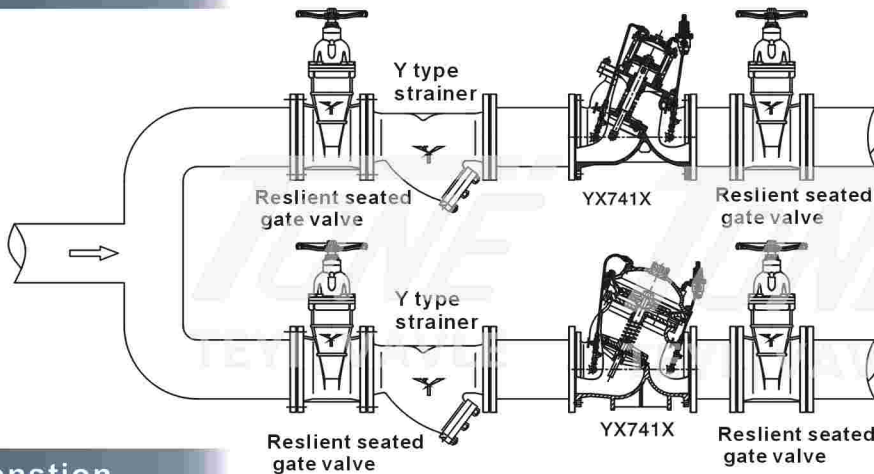
Diaphragm type



piston type



Installation drawing



Main Dimension

公称通径 DN (mm)	40	50	65	80	100	125	150	200	250	300
L(mm)	240	240	270	300	350	400	480	500	605	700
H(mm)	165	203	222	241	305	356	394	457	533	610
H1(mm)	270	270	340	400	440	460	500	640	690	820
H1(mm)		293	328	364	418	481	543	673	729	927
公称通径 DN (mm)	350	400	450	500	600	700	800	900	1000	1200
L(mm)	800	900	900	1100	1150	1400	1500	1650	1800	2000
H(mm)	686	762	864	914	1067	1350	1450			
H(mm)	950	1150	1180	1550	1600	1750	1900	2606	2765	
H1(mm)	957	1180	1218	1600	1800	2000	2300	2600	2700	2880